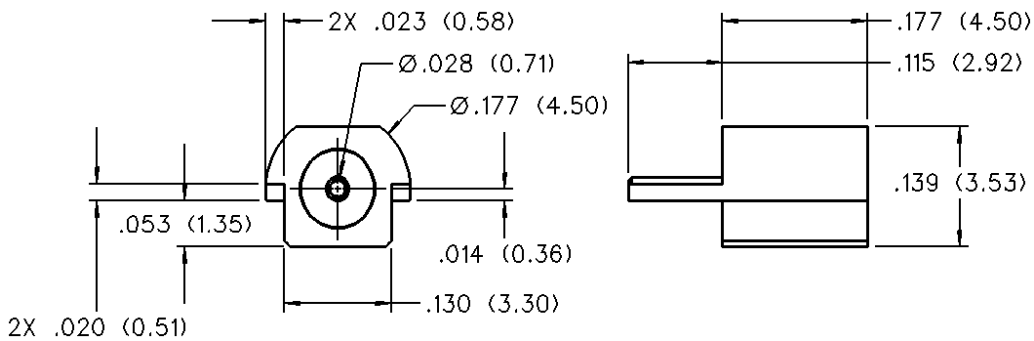
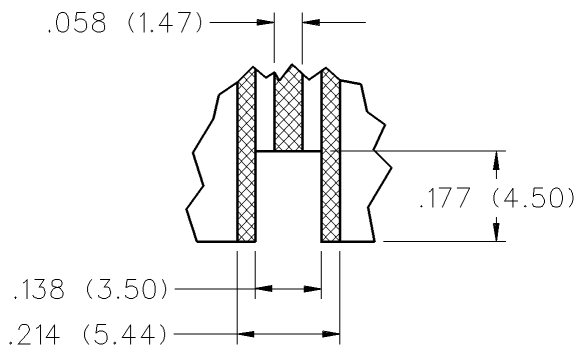


MMCX End Launch Jack Receptacle - Surface Mount



| PART NUMBER | PACKAGING |
|--------------|-------------------------------|
| 135-3711-801 | Stock |
| 135-3711-802 | Tape and Reel 1000pcs/reel |

Recommended Land Pattern and Board Notch



MMCX - 50 Ohm Connectors

Specifications



ELECTRICAL RATINGS

Impedance: 50 ohms

Frequency Range: Connectors 0-6 GHz
 Dummy loads 0-1 GHz

VSWR: (f = GHz)

| | Straight Cabled Connectors | Right Angle Cabled Connectors |
|--------------------------|----------------------------|-------------------------------|
| .047 dia flexible | 1.20 | 1.14 + .07f |
| RG-178, RG-316, RG-316DS | 1.20 | 1.25 |
| .086 semi-rigid | 1.15 | 1.15 |

Uncabled receptacles, dummy loads N/A

Working Voltage: Connectors 170 Vrms at sea level†
 Dummy loads N/A

Dielectric Withstanding Voltage: Connectors...500 Vrms at sea level†
 Dummy loads N/A

Insulation Resistance: 1000 megohms min

Contact Resistance: (milliohms maximum)

| | Initial | After Environmental |
|--|---------|---------------------|
| Center contact (straight cabled connectors and uncabled receptacles) | 5.0 | 8.0 |
| Center contact (right angle cabled connectors) | 5.0 | 15.0 |
| Outer contact (all connectors) | 1.0 | 1.5 |
| Braid to body | 1.5 | N/A |

Corona Level: Connectors 190 volts min at 70,000 feet†
 Dummy loads N/A

Insertion Loss: (dB max tested at 1 GHz)

| | |
|-----------------------------------|-----|
| Straight cabled connectors | 0.1 |
| Right angle cabled connectors | 0.2 |
| Uncabled receptacles, dummy loads | N/A |

RF Leakage: (dB minimum, tested at 2.5 GHz)

| | |
|---------------------------|--------|
| Flexible cable connectors | -60 dB |
| .086 semi-rigid | -70 dB |
| Dummy loads | N/A |

RF High Potential Withstanding Voltage: (400 Vrms at 4 and 7 MHz)†

Power Rating (Dummy Load): - 0.5 watt @ +25°C, derated to 0.25 watt @ +125° C

†Avoid user injury due to misapplication.
 See safety advisory definitions inside front cover.

MECHANICAL RATINGS

Engagement Design: Series MMCX

Engagement/Disengagement Force: 8 lbs. max axial engagement
 1.4 lbs. min axial disengagement

Contact Retention: 2.0 lbs. minimum axial force

Cable Retention:

| | Axial Force* (pounds) | Torque (in-oz) |
|--------------------------------|--------------------------|-------------------|
| Connectors for .047 flexible | 3.5 | N/A |
| Connectors for RG-178 | 7.0 | N/A |
| Connectors for RG-316 | 20.0 | N/A |
| Connectors for RG-316DS | 25.0 | N/A |
| Connectors for .086 semi-rigid | 30.0 | 16 |

*Or cable breaking strength whichever is less.

Durability: 500 cycles minimum

ENVIRONMENTAL RATINGS (Meets or exceed the applicable paragraph of MIL-C-39012)

Operating Temperature: Connectors - 65°C to + 165°C
 Dummy loads - 65°C to + 125°C

Thermal Shock: Connectors: MIL-STD-202, Method 107, Condition C, except -55°C to + 155°C (N/A dummy loads)

Corrosion: MIL-STD-202, Method 101, Condition B (N/A dummy loads)

Shock: MIL-STD-202, Method 213, Condition B (N/A dummy loads)

Vibration: MIL-STD-202, Method 204, Condition D (N/A dummy loads)

Moisture Resistance: MIL-STD-202, Method 106 (N/A dummy loads)

MATERIAL SPECIFICATIONS

Bodies: Brass per QQ-B-626, gold plated* per MIL-G-45204 .00001" min.

Contacts: Beryllium copper per QQ-C-530, gold plated* per MIL-G-45204 .00003" min.

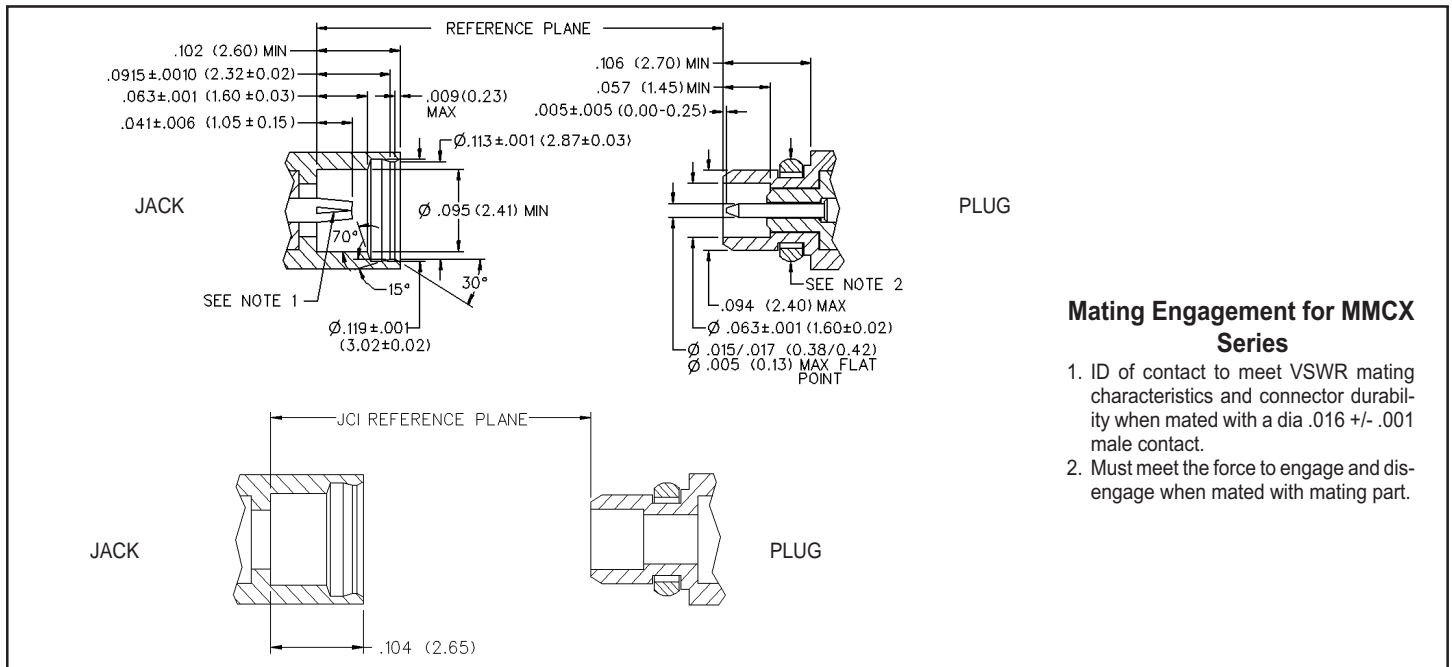
Interface Spring: Beryllium copper per QQ-C-530, gold plated* per MIL-G-45204 .00003" min.

Insulators: PTFE fluorocarbon per ASTM D 1710 and ASTM D 1457

Crimp Sleeves: Copper per WW-T-799 or brass per QQ-B-626, gold plated per MIL-G-45204 .00001" min.

Mounting Hardware: Brass per QQ-B-626 or QQ-B-613, gold plated per MIL-G-45204 .00001" min.

*All gold plated parts include a .00005" min nickel barrier layer.



Mating Engagement for MMCX Series

1. ID of contact to meet VSWR mating characteristics and connector durability when mated with a dia .016 +/- .001 male contact.
2. Must meet the force to engage and disengage when mated with mating part.